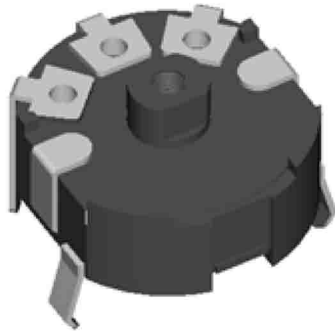


Model(型號): **ROTARY POTENTIOMETER-----R08M11H0[x]**

► Download PDF file



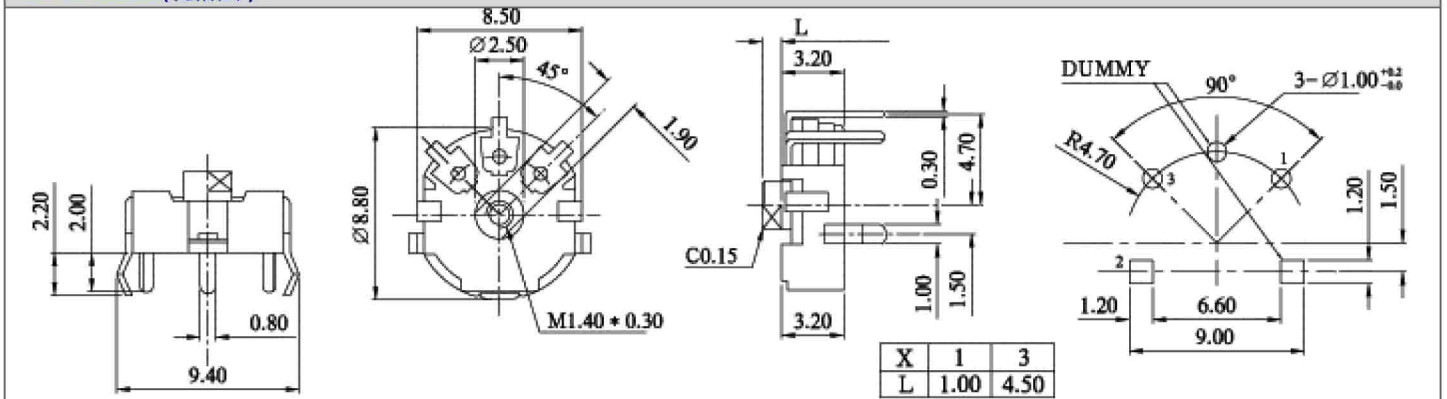
**Features:(特點):**

Deal for small, low-profiles sets.  
Single-unit control with detent and tap terminal available.  
PC board thicknesses up to 1.6mm are available.

**Applications(作用):**

For volume control and tone control in compact products recorder, compact TV sets and CD-ROM.

**Dimensions(規格圖):**



**Specifications(規格)**

**Electrical Characteristics [ 電氣性能 ]**

Total resistance [ 全阻抗值 ]	5KΩ - 1MΩ
Total resistance tolerance [ 全阻抗值容許差 ]	±30%
Ratings power(w) [ 額定功率 ]	0.03W
Resistance taper [ 阻抗變化特性 ]	A,B,C,,D
Sliding noise [ 滑動雜音 ]	100mV Max.
Gang error [ 連動誤差 ]	-40dB~0dB ±3dB Max.
Max. operating voltage [ 最高使用電壓 ]	AC 50V

**Mechanical Characteristics [ 機械性能 ]**

Operation torque [ 回轉力矩 ]	10~100gf . cm
Rotation stopper strength [ 止動強度 ]	1Kgf . cm Min.
Total rotational angle [ 回轉角度 ]	200 ±10°

**Endurance Characteristics [ 耐久性能 ]**

Rotational life [ 回轉壽命 ]	More than10,000 cycles
--------------------------	------------------------